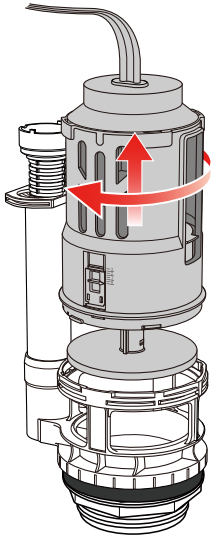
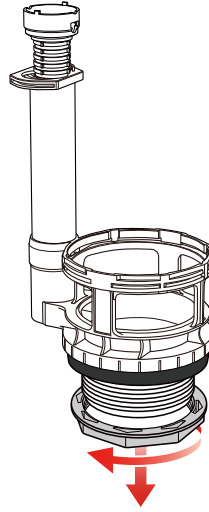


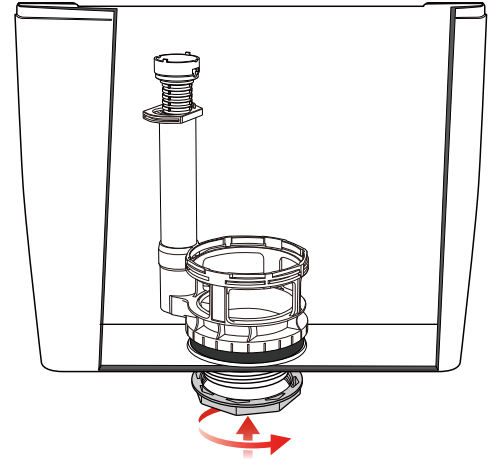
P303 Flush Valve Installation Instruction



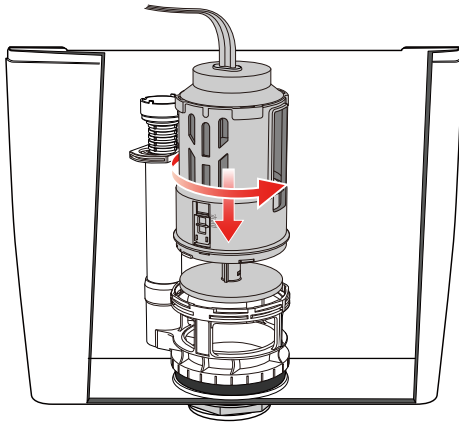
1. Hold the base of the flush valve and rotate the body counterclockwise. Take it out from base.



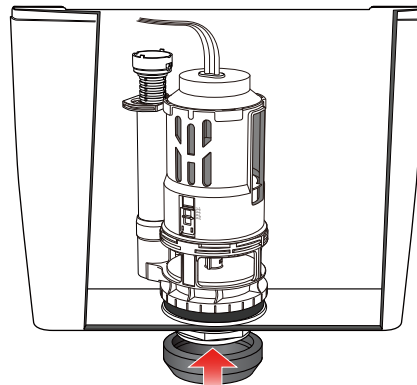
2. Remove the hex nut from flush valve base. Don't remove the seal !!!



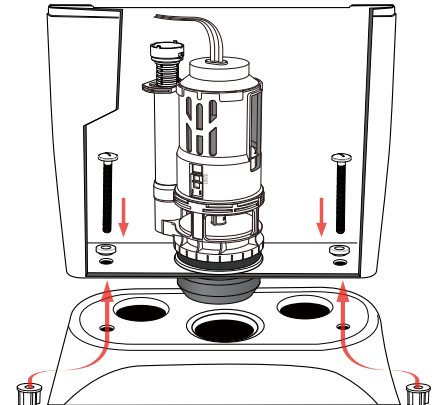
3. Insert the flush valve's base into the water tank. Screw on the hex nut properly.



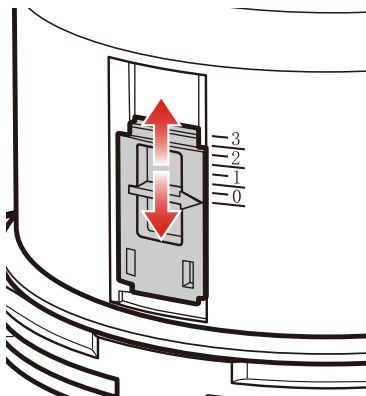
4. Take the body of flush valve and set it into the base and lock it in place by rotating it clockwise.



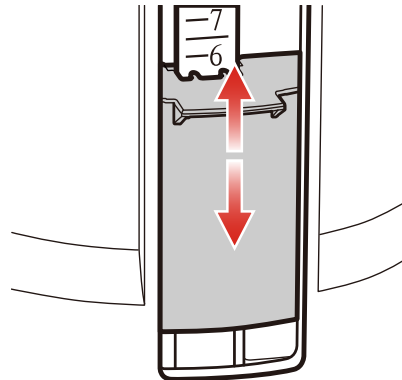
5. Insert the tank to bowl rubber gasket on to the flush valve's outlet bottom.



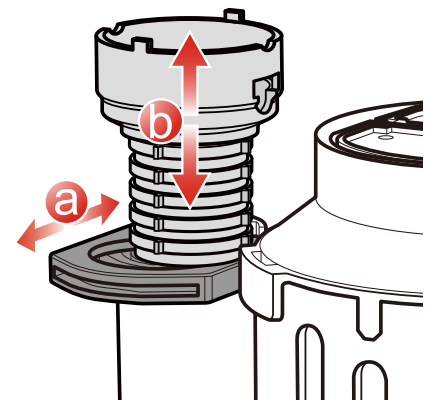
6. Insert the tank to bowl with one pair of plastic or stainless steel bolts through the holes. Insert washers on bolts and screw on the nuts.



7. Adjust the full flush volume by sliding the red part up or down. When the buoy is higher, the discharge water volume is less. Slide down the part can buoy little until you are flushing enough water.

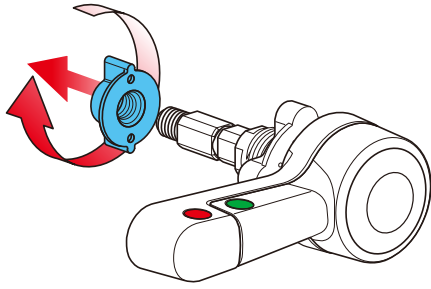


8. Adjust the half flush volume by sliding the marked part up or down. When the buoy is higher, the discharge water volume is less. Slide down the part can buoy little until you are flushing enough water.

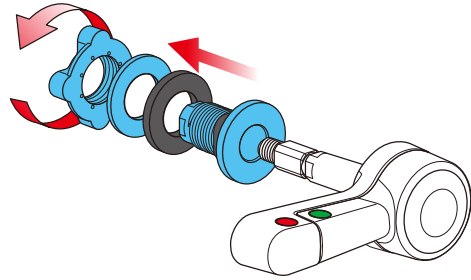


9. To adjust the height of the overflow pipe, slide the lock (a), then set the desired height of the overflow pipe (b). Put the lock back after.

Flush handle installation



1. At the base of the fill valve's outer body unlock the fix stopper (see picture) by turning it counter-clockwise then free up the inner body by pulling and or pushing on it.

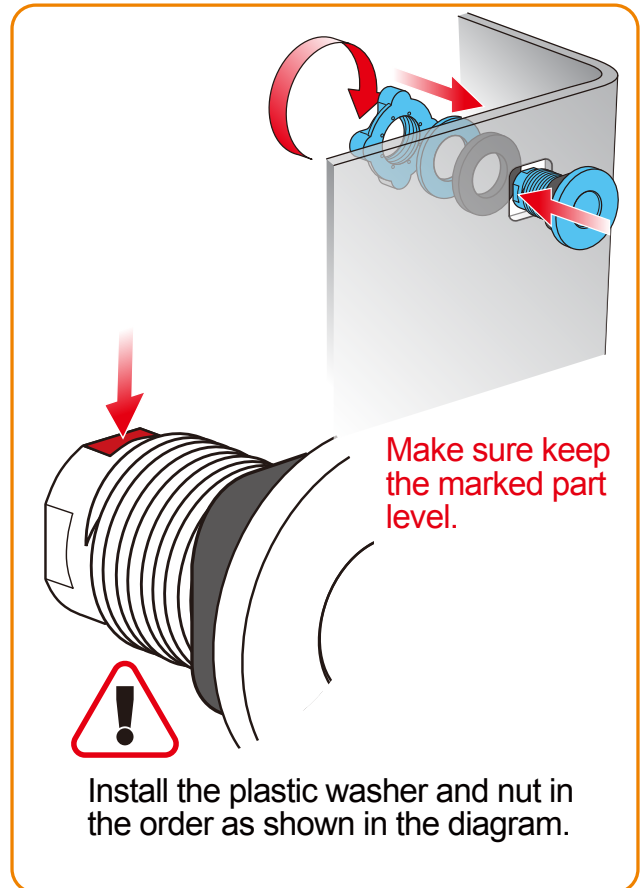
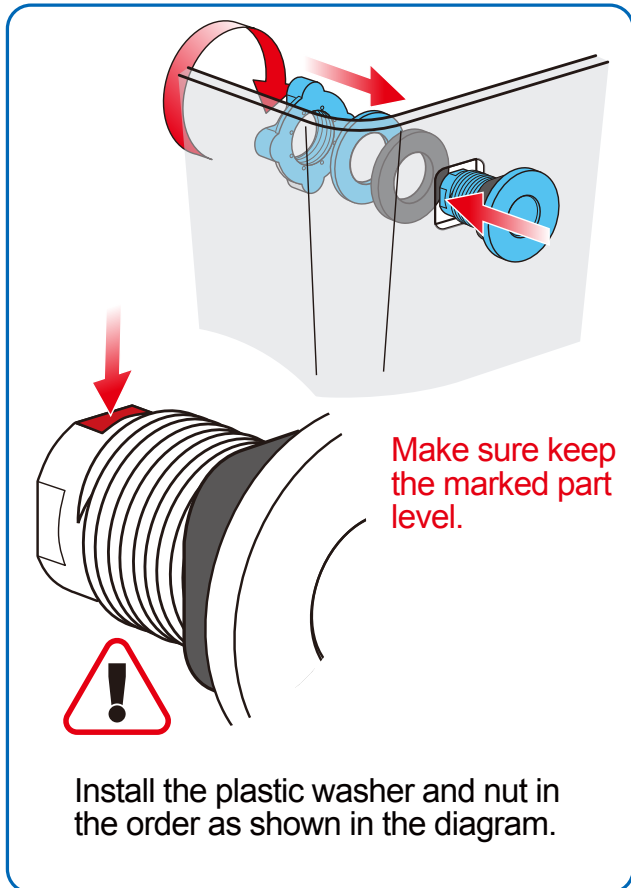
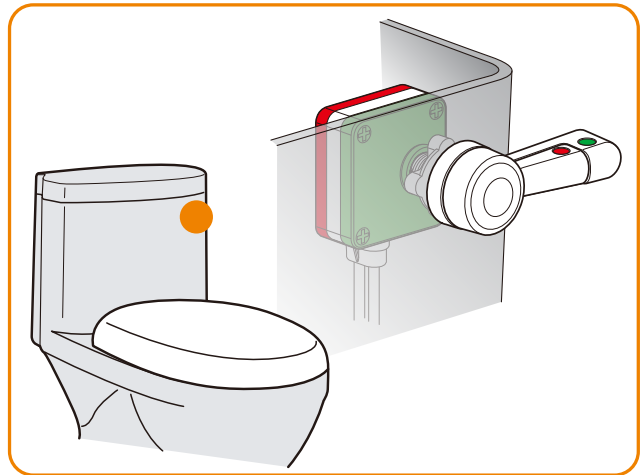


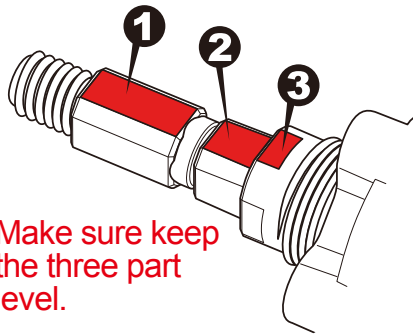
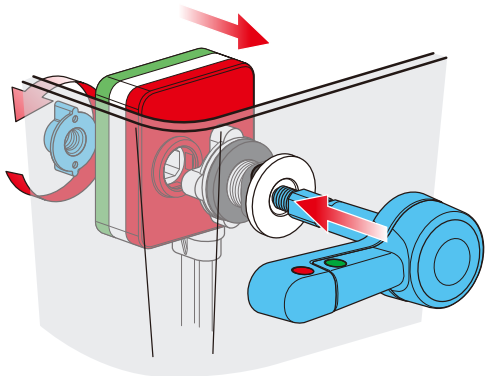
2. At the base of the fill valve's outer body unlock the fix stopper (see picture) by turning it counter-clockwise then free up the inner body by pulling and or pushing on it.

Right



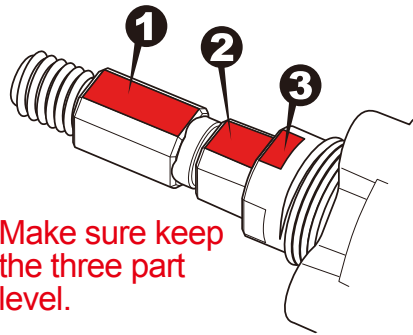
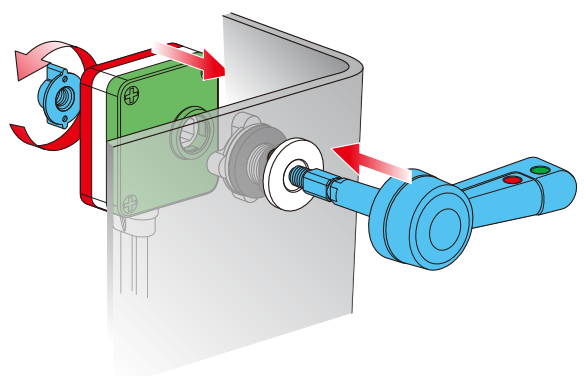
Left





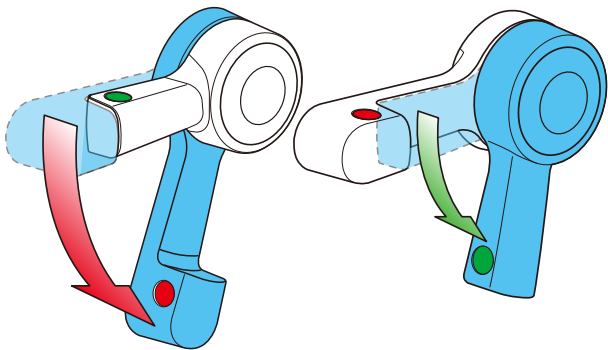
Make sure keep the three part level.

Installing the color box and the lever as shown in the diagram



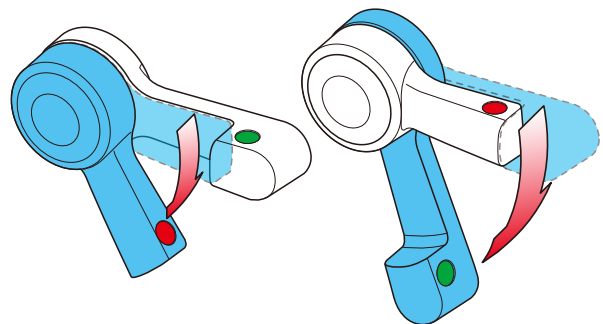
Make sure keep the three part level.

Installing the color box and the lever as shown in the diagram



FULL FLUSH

HALF FLUSH



FULL FLUSH

HALF FLUSH