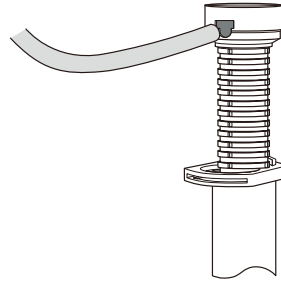
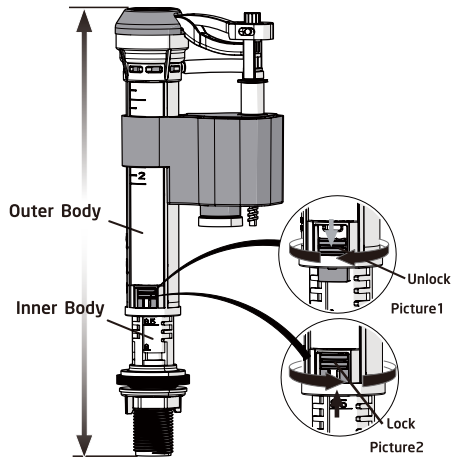


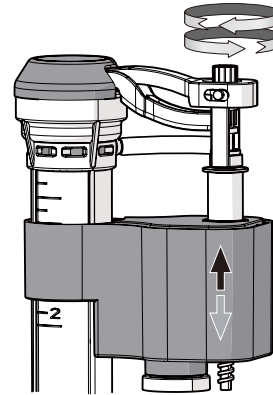
1. Insert the new fill valve with rubber seal at the base in the inlet hole of water tank and screw on the nut with collar tightly;



2. Connect the refill tube with refill rest-riCTOR from fill valve to the overflow pipe of the flush valve;



3. After the fill valve installed, unlock the outer Body in right direction. Adjust the height of fill valve (picture 1) to suitable level. Then lock again (picture 2);



4. Fine and final adjustment can be made by rotating the screw rod clockwise or counterclockwise on the fill valve cup. In order to achieve desired water level;

