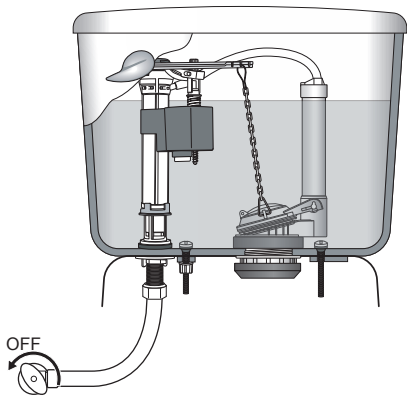
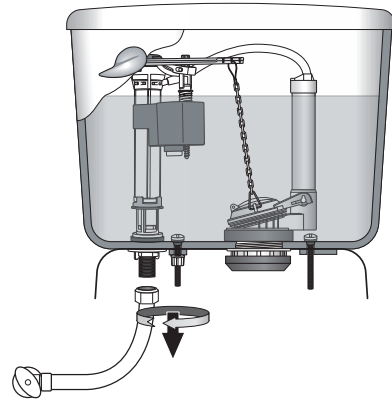


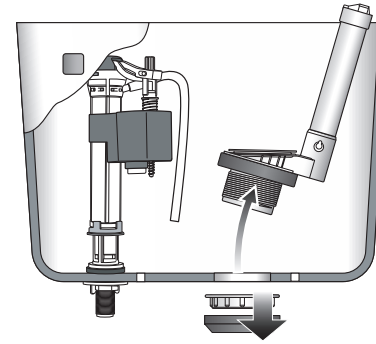
Installation Instruction Dual Flush Valve Mechanism



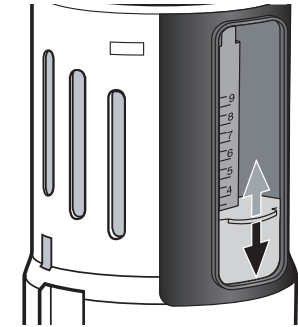
1. Turn off the water valve leading to the toilet. Leave the water turned off until Step 16.



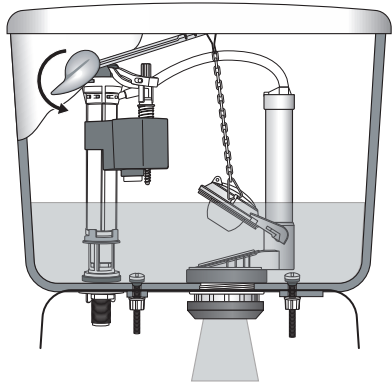
2. Disconnect the water line where it connects to the toilet tank.



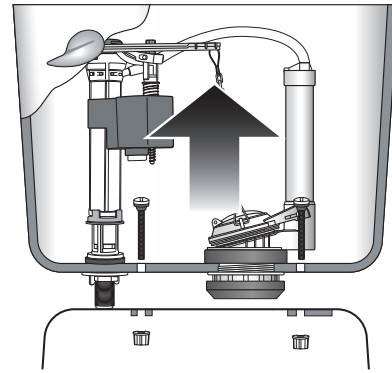
7. Remove the existing overflow tube and flush valve – a tongue and groove plier (not included) will likely be necessary to loosen the nut on the underside of the tank.



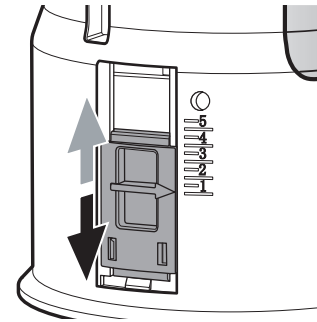
8. Adjust the half flush volume by sliding the blue part up or down. When the buoy is higher, the discharge water volume is less. Make sure the half flush volume setting (blue) is set all the way up at setting 9. Flush setting adjustment will come in Step 18.



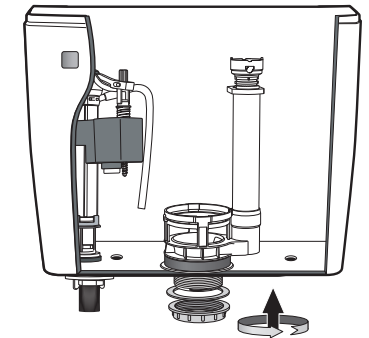
3. Flush the toilet to remove as much water as possible from the toilet tank.



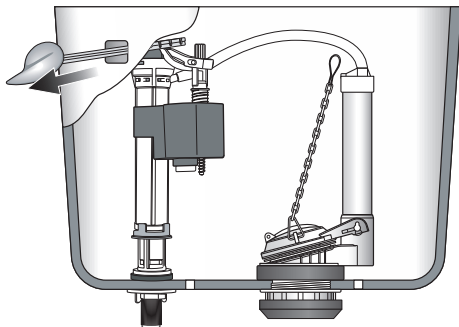
4. Remove the tank from the toilet bowl. A screwdriver and wrench (not included) will likely be necessary to remove the tank bolts. Discard remaining water from the tank.



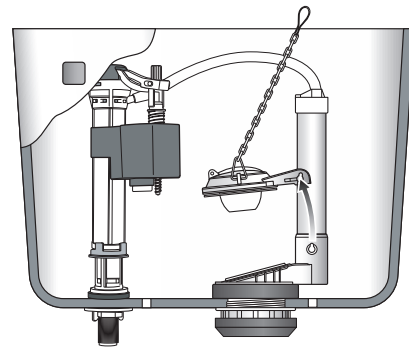
9. Adjust the full flush volume by sliding the red part up or down. When the buoy is higher, the discharge water volume is less. Make sure the full flush volume setting (red) is set all the way up at setting 5. Flush setting adjustment will come in Step 19.



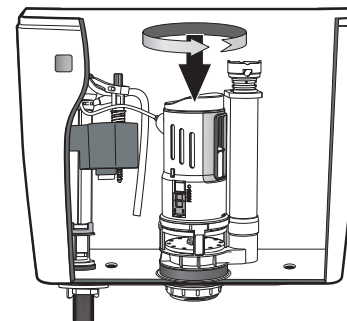
10. Insert the flush valve's base into the water tank. Screw on the nut collar and hex nut properly.



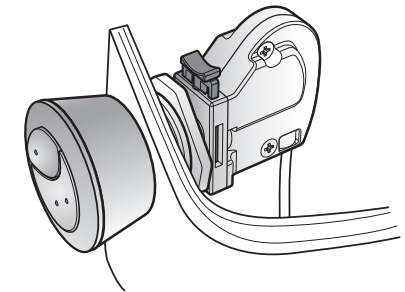
5. Remove the flush handle and lever from the toilet tank.



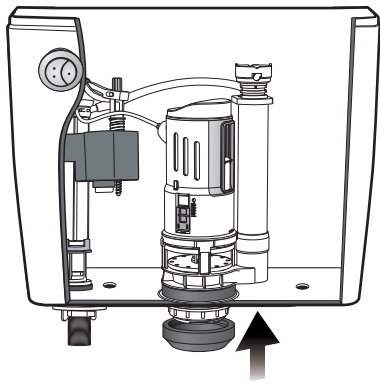
6. Remove the flapper from the existing flush valve.



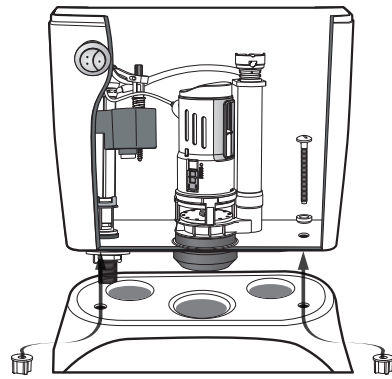
11. Take the body of flush valve and set it into the base and lock in place by rotating it clockwise.



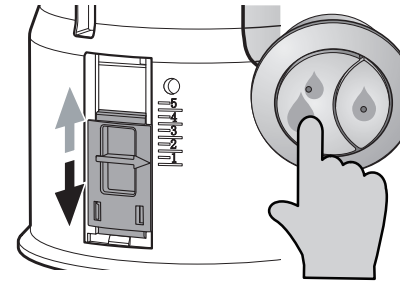
12. Install dual flush button in the flush handle hole. See "Button installation" for side hole or top hole installation.



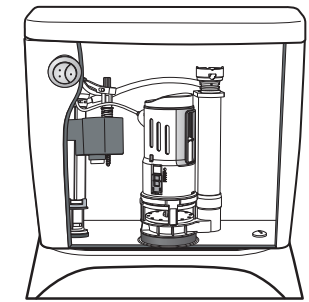
13. Insert the tank to bowl rubber gasket (Not included) on to the flush valve's outlet bottom.



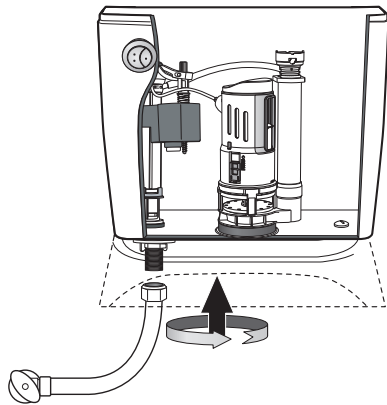
14. Re-attach toilet tank to toilet bowl.



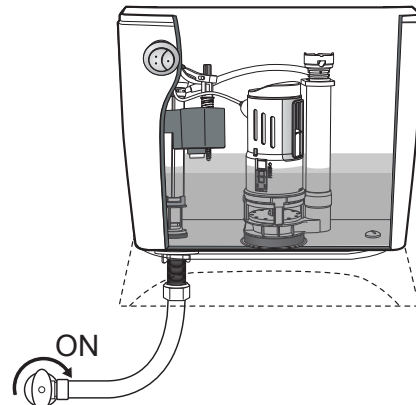
19. Press Full Flush button (2 water drops). Ensure bowl empties sufficiently, and siphon action is activated. If siphon action is not activated, adjust Full flush setting (red) down one notch to 4.5. Press Full Flush button again. Repeat this process until bowl empties and siphon action is activated.



20. Both Flush settings are adjustable at any time. You do not need to turn off the water to adjust the FlushSaver's flush settings.



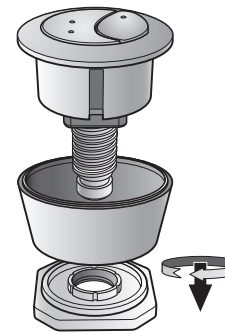
15. Re-attach water line to toilet tank



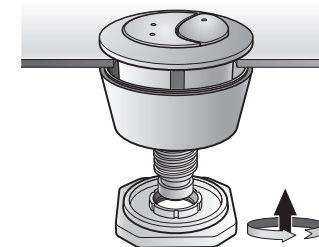
16. Turn on the water valve leading to the toilet. Wait for toilet tank to fill. Please wait and observe 5 minutes before moving on to next step, to ensure there are no leaks. If a leak is spotted, turn off the water immediately. Check gaskets, bolts, and hardware. If you can't find the source of the leak, please call a plumber

Button installation for top ceramic hole

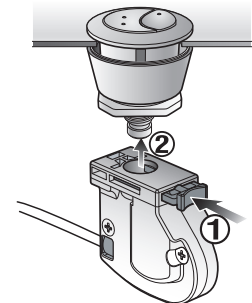
When installing the dual action button, make sure there are no unnecessary twists, kinks, or turns in the cable leading to the body of the flush valve. Kinks or twists in the cable could compromise performance.



1. Unscrew the flanged nut and sub-cover.



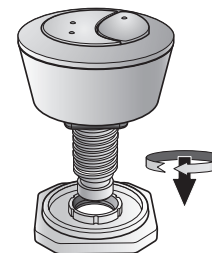
2. Insert the button into the oval hole of tank, then screw up sub-cover, flanged nut in sequence.



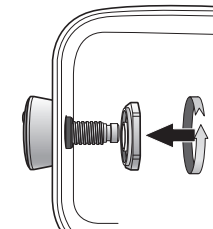
3. Push in switch box's green button (1) to connect with button body.

Button installation for side ceramic hole

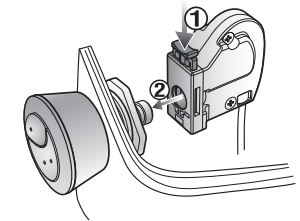
When installing the dual action button, make sure there are no unnecessary twists, kinks, or turns in the cable leading to the body of the flush valve. Kinks or twists in the cable could compromise performance.



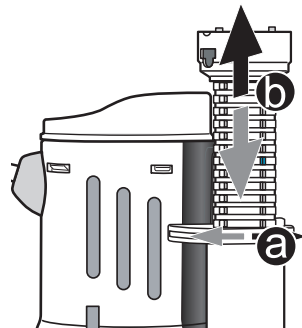
1. Unscrew the flanged nut.



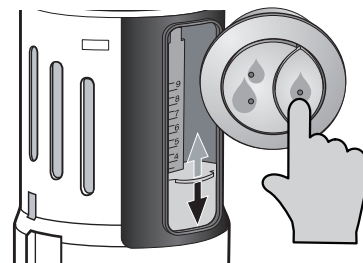
2. Insert the button into the oval hole of tank and then screw up the flanged nut in sequence.



3. Push in switch box's green button (1) to connect with button body.



17. To adjust the height of the overflow pipe, slide the lock (a), then set the desired height of the overflow pipe (b). Put the lock back after



18. Press 1/2 Flush button (1 water drop). Ensure that bowl empties sufficiently, and siphon action is activated. If siphon action is not activated, adjust 1/2 flush setting (blue) down one notch to 8.5. Press 1/2 Flush button again. Repeat this process until the siphon action is activated.

Manufacturer shall not be responsible or liable for any failure or, or damage to, this plumbing product caused by use of chlorine (bleach) cleaners or related products added to the tank water. Use of such products will void the warranty and may result in product failure.